

# The Events Structure Product Guide

## Containers - Versatile



Versatile is a sophisticated, flexible, and striking Event Container for hire, designed to provide an impressive onsite presence. This event container is constructed utilising a 20' ISO Shipping Container, with a hydraulic front/stage opening to provide an exterior extension to the container environment. This is complemented and enhance with a 6 Metre electric awning to cover the hydraulic stage environment.

The stage area and interior space provides and exceptional space for product demonstration, sampling, retailing and hospitality. The container interior has a small registration counter but otherwise a open and flexible space.

The interior walls are paint finished in white on the original architectural corrugation finish. The rear wall features a solid flat wall that provides a natural graphic backdrop opportunity, this is also flexible to support digital media and screens if required.

The Versatile Event Container has an external

32 amp single phase mains input that can be powered from an onsite mains power connection or generator input. Internally the container has a fusebox and internal power distribution.

### CONTAINER FEATURES

- Hydraulic front door/stage
- Interior & exterior custom paint finish
- Exterior 32 amp power connection
- Electrical distribution and fusebox
- 13.4m<sup>2</sup> internal capacity
- Large internal / external graphics
- Rapidly deployed in less than 1 hour with 2 crew
- Full disabled access for staff area (optional)
- External awning

### DIMENSIONS

Container length	6096mm
Container width	4638mm
Container height	3191mm

### POWER

- 32 amp external mains input
- Generator power available on request

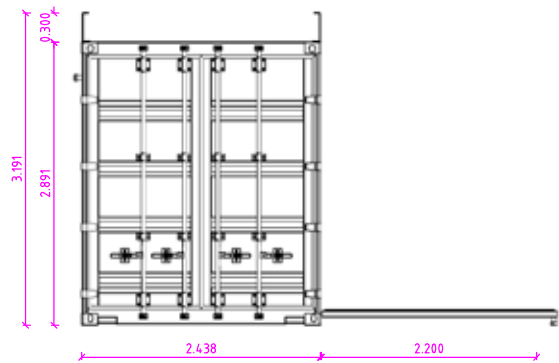
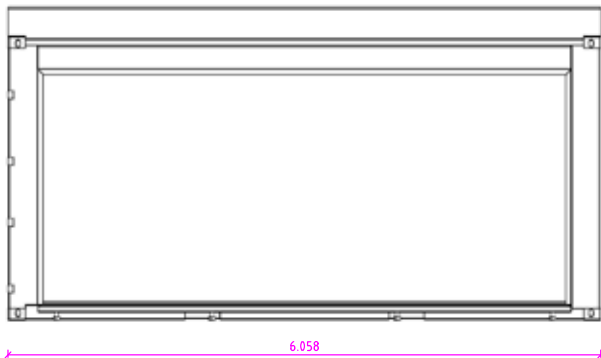
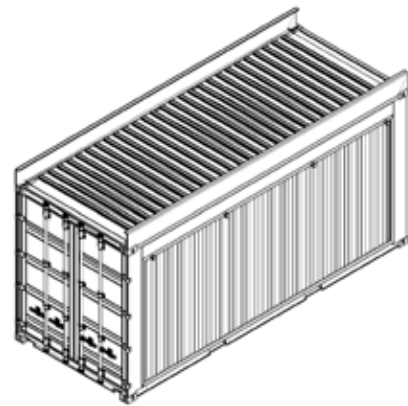
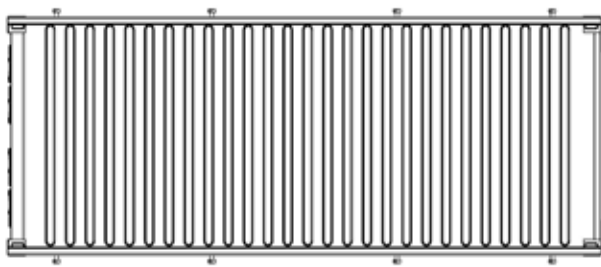
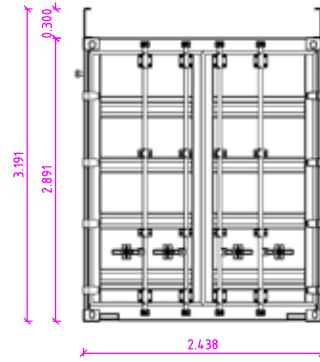
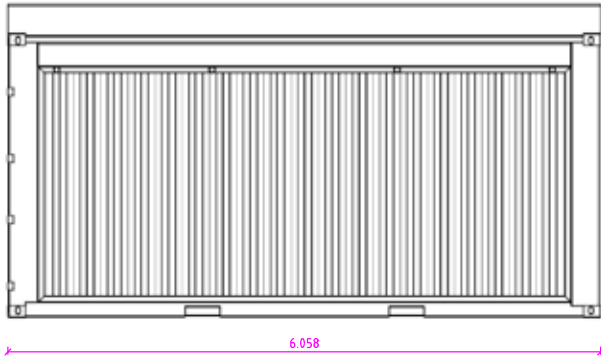
# The Events Structure Product Guide

Containers - Versatile



# The Events Structure Product Guide

Containers - Versatile



# The Events Structure Product Guide

Containers - Versatile

