

The Events Structure Product Guide

Containers - Communicator



Communicator is an exceptional Shipping Container cluster for hire, designed to provide a significant covered communication space far beyond the highly affordable hire investment. The set of 20' Shipping Containers are designed and built to an incredibly high level of interior and exterior finish, providing a lasting impression on consumers. The Communicator Container setup provides a dynamic environment that can be used for experiential, retailing, catering and hospitality applications, and benefits from superior finishes throughout.

Communicator Containers open to the front facing onto each other and are accessed via a sophisticated roller door system that helps to provide a full 20' (6m) access entrance to the internal environments. The environment is then extended to the exterior, providing an extended experiential environment, using an anti-slip vinyl stage surface that extends to 6m x 2m.

The central terrace between the containers is

covers with a 2m x 6m span structure providing shelter via the polycarbonate roof structure.

The interior walls are paint finished in matt black on the original architectural corrugation finish, the back walls contain 3 off graphic positions (each 1500mm²) and the bulkhead wall features 1 off graphic position (1500mm²).

The Communicator Event Containers have an external 32 amp mains input that can be powered from an onsite mains power connection or generator input. Internally the container has a fuse box and internal power distribution to 8 off 13 amp sockets.

CONTAINER FEATURES

- Standard shipping container cargo doors
- Interior & exterior custom paint finish
- Exterior 32 amp power connection
- Electrical distribution and fusebox
- 13.4m² internal capacity
- Large internal / external graphics
- Rapidly deployed in less than 3 hours with 3 crew
- Full disabled access for internal area (optional)

DIMENSIONS

Container length	6060mm
Container width	6980mm
Container height	3190mm

The Events Structure Product Guide

Containers - Communicator



INTERNAL DIMENSIONS

Container length	5850mm
Container width	2350mm
Container height	2300mm

POWER

- 32 amp external mains input
- Generator power available on request

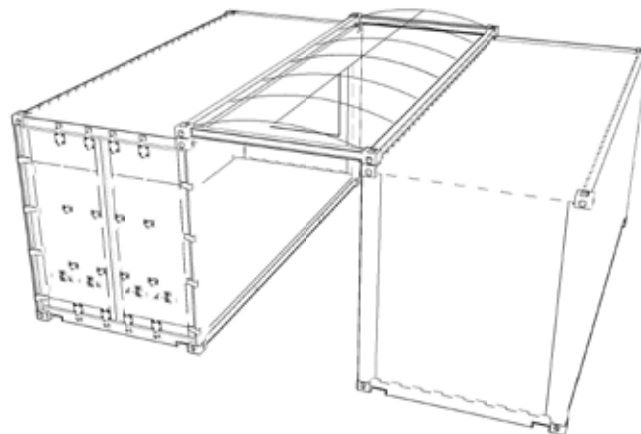
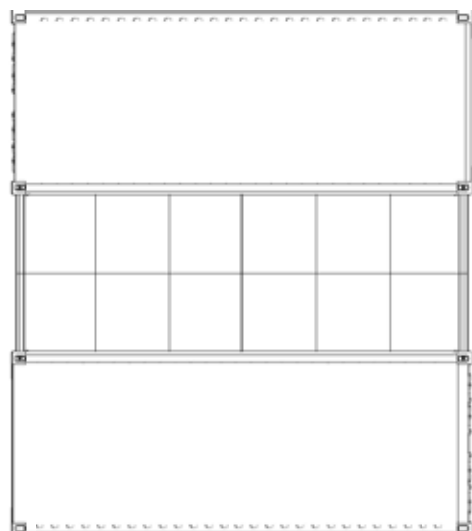
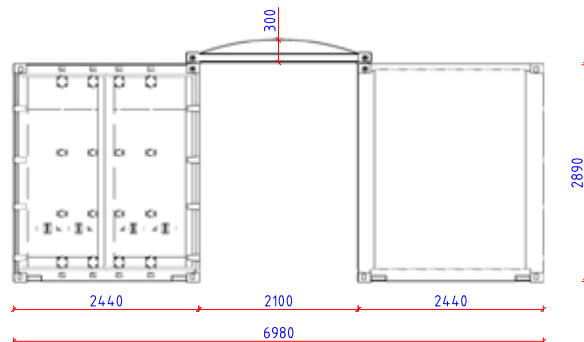
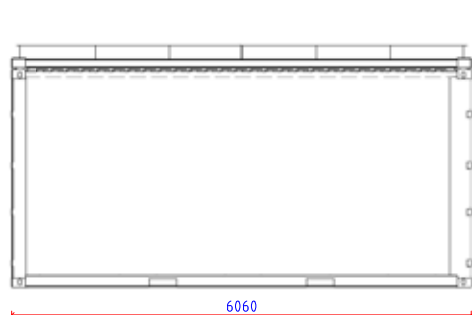
The Events Structure Product Guide

Containers - Communicator



The Events Structure Product Guide

Containers - Communicator



The Events Structure Product Guide

Containers - Communicator

